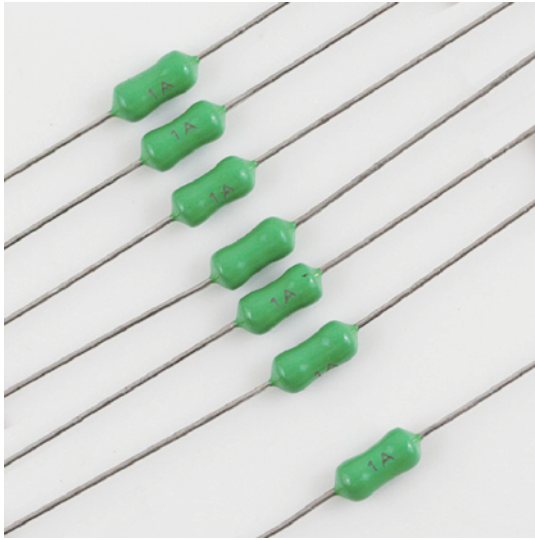


为您的产品保驾护航

PRODUCT DATASHEET

Miniature Fuse

JFP Series, Fast-Acting Fuse



Applications

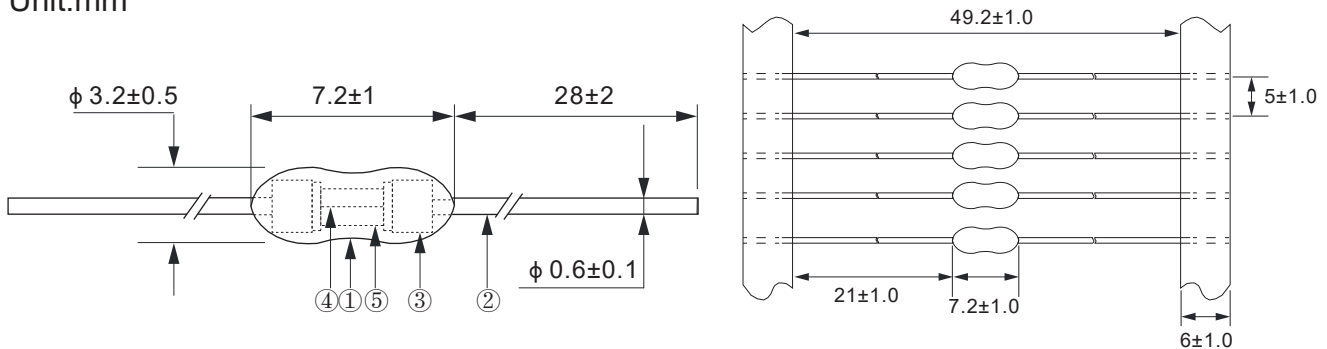
JFP Series, Fast-Acting Fuse is suitable for various kinds of electronic devices' circuit over current protection. Widely used in industrial of Lighting, Power supply and Adapter applications. etc.

Agency Approvals

Agency	File Number
	JDYX2.E486200

Dimensions and Structure

Unit:mm



Material Details

No.	Part Name	Material
①	Body Encapsulated	Epoxy Coated
②	Lead wire	Tin plated Copper
③	Cap	Nickel Plated Brass
④	Fuse element	Ally wire
⑤	Body	Non-Transparent Ceramic Tube

Operating Characteristics

% of Ampere Rating(In)	Blowing Time
100%* In	4 hours Min
200%* In	60 sec Max

Electrical Characteristics

Amp Code	Ampere Rating (A)	Voltage Rating (V)	Breaking Capacity	I ² T Melting Integral (A ² s)
JFP0100FL	0.100	250/125	50A@125V/250VAC	0.001
JFP0125FL	0.125			0.002
JFP0160FL	0.160			0.003
JFP0200FL	0.200			0.006
JFP0250FL	0.25			0.012
JFP0300FL	0.30			0.016
JFP0315FL	0.315			0.019
JFP0350FL	0.35			0.022
JFP0400FL	0.40			0.035
JFP0500FL	0.50			0.047
JFP0630FL	0.63			0.056
JFP0750FL	0.75			0.078
JFP0800FL	0.80			0.098
JFP1100FL	1.00			0.30
JFP1125FL	1.25			0.50
JFP1150FL	1.50			0.60
JFP1160FL	1.60			0.80
JFP1200FL	2.00			1.20
JFP1250FL	2.50			2.00
JFP1300FL	3.00			2.50
JFP1315FL	3.15	2.90		
JFP1350FL	3.50	3.10		
JFP1400FL	4.00	4.20		
JFP1500FL	5.00	7.20		
JFP1630FL	6.30	12.0		
JFP1700FL	7.00	18.0		
JFP2100FL	10.0	32.0		

Text	Result
Test Condition	All electrical test is to be conducted with the ambient air at a temperature of 25±5℃.
Load capacity	When the fuse loads through 100% of rated current, should blow within 4 hours.
Rising Temperature Test	When the 100% times of Ampere Rating passes the fuse, after reaching thermal balance ,the temperature on the fuse surface rising shall not be higher than 75℃. Note: Rising temperature = the Surface temperature - Ambient temperature.

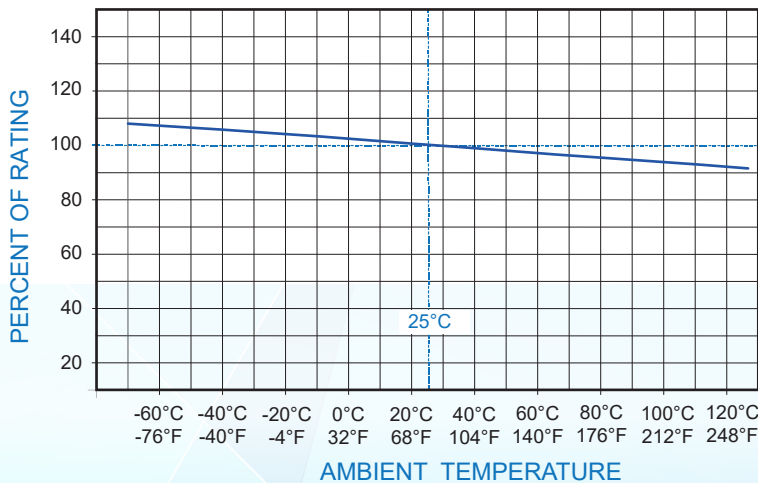
Product Characteristics

Attribute	Data	
Lead Pull Strength	5N for 10±1 S	
Lead Thrust Strength	2N for 10±1 S	
Solder ability	Wave	260 °C , ≤3S
	Soldering Iron	350±10 °C , ≤3S
Soldering Heat Resistance	Wave	260 °C , 10S
	Soldering Iron	350 °C , 5S

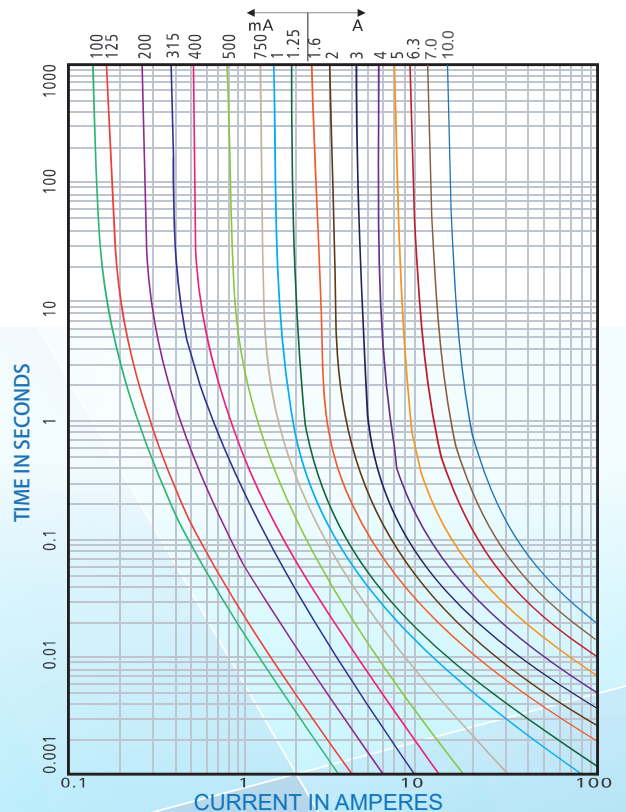
Environmental Characteristic

Operating Temperature	Stock Condition
-55 °C ~+125 °C	Humidity: Relative humidity ≤ 75% store 3 years in average

When choosing the fuse's specification, if the operating environmental temperature beyond the scope from 20~30 °C , engineer should consider the environmental temperature's affection to fuses. Please refer : Temperature Rerating Curve:



Average Time Current Curves

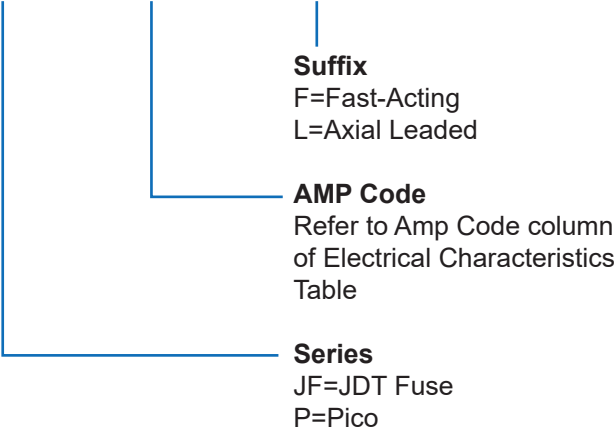


Installation Recommendations

Soldering	Temperature	Times
Wave	260 °C Max(Solder Pot Temperature)	2~5S (Solder Dwell Time)
Hand-Solder	350±5 °C (Solder Iron Temperature)	5S Max(Heating Time)

Product Identification

JFP xxxx F L



Packaging

Packaging Option	Quantity & Packaging Code	Quantity & Packaging Code	Quantity & Packaging Code
Bulk Packing	500 pcs/bag	10 bag/box	4 boxes/carton
Taped Packing	--	3000 pcs/box	10 boxes/carton

Others

In the event that an impropriety is found beyond this specification, it shall be fixed by mutual agreement between the parties.